

SIDE ENTRY STEPS

Our single and double side entry precast concrete steps are a cost-effective, multipurpose option for side entrances, secondary suites or mother-in-law suites. Both the single and double side entry steps have a standard 60" depth of landing and can be customized in width from 36" to 48" in order to alleviate most property line or fencing challenges. All our precast are available in 1-6 risers and have a distinctive bull nosing around the perimeter of the landing and risers. Our entry level step has a non-slip broom finish surface with form finish riser face and skirt. Upgrade to the Presidential Finish and receive the same broom finish surface but with Etched Riser face and/or full etched skirting. We can also upgrade these steps to have a true fully exposed finish.

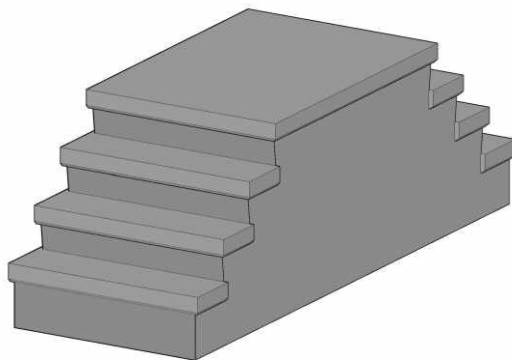
SINGLE SIDE ENTRY



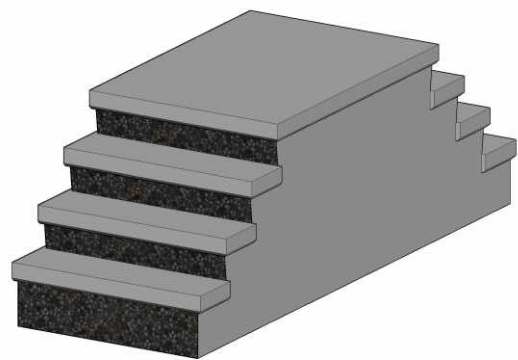
DOUBLE SIDE ENTRY



DOUBLE SIDE ENTRY - NON ETCHED



DOUBLE SIDE ENTRY - ETCHED



Need Help? Contact us today to request a quote or get more information about our products.

MARCUS: Cell: 403-801-9025
CALGARY/RED DEER Office: 403-261-3851

MICHELLE: Cell: 780-777-2010
EDMONTON Toll Free: 800-859-5541

HEAD OFFICE: Office: 403-343-6099
Toll Free: 800-859-5541

